

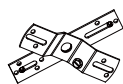
ASSEMBLY AND INSTALLATION INSTRUCTIONS

T0268

WARNING: TO AVOID RISK OF ELECTRICAL SHOCK, BE SURE TO SHUT OFF POWER BEFORE INSTALLING OR SERVICING THIS FIXTURE.

NOTES: 1. Before installing, consult local electrical codes for wiring and grounding requirements.
2. READ AND SAVE THESE INSTRUCTIONS.

Hardware Package (included):



Cross Bar (A)



Mounting Screw (B)



Headless Screw (C)



Lock Nut (D)



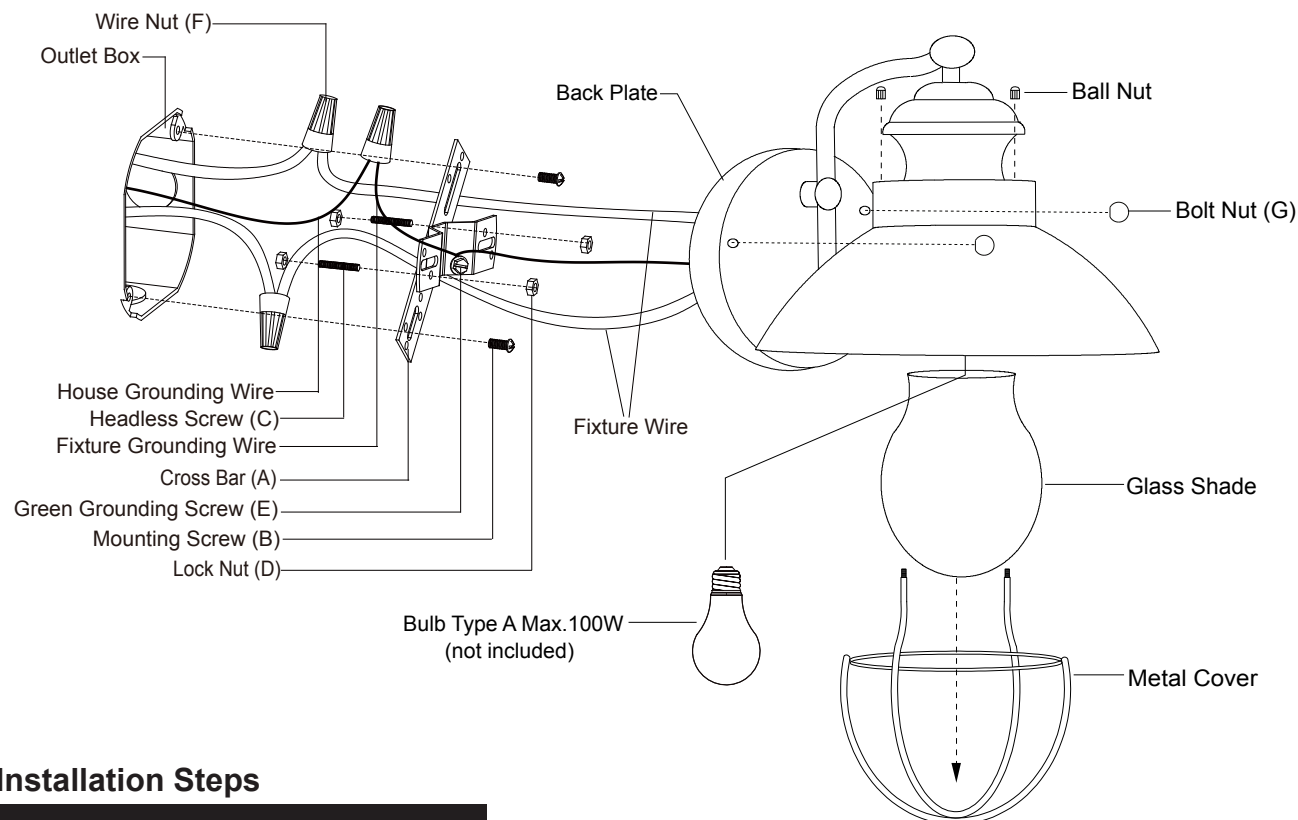
Green Grounding Screw (E)



Wire Nut (F)



Bolt Nut (G)



Installation Steps

Turn off the power at fuse or circuit box

1. Thread two headless screws through the cross bar, and then secure them with four lock nuts (two on each side of the cross bar). Adjust the length of the headless screws if necessary.
Note: Make sure that the headless screws are lined up horizontally to make the fixture level.
2. Attach cross bar to outlet box using two mounting screws.
3. Install a bulb (not included). Check relamping label at socket area or packaging for maximum allowed wattage.
4. Place the glass shade into the metal cover carefully, and then attach the metal cover to the fixture by using two ball nuts.
5. Pull out the source wires from the outlet box. Make wire connections using wire nuts as follows:
 - Connect the hot wire (usually black insulation) from the fixture to the black wire from the power source.
 - Connect the neutral wire (usually white insulation) from the fixture to the white wire from the power source.
 - Attach the fixture grounding wire (usually green insulation or bare wire) to the cross bar with the green grounding screw, and then connect it to the house grounding wire with the wire nut.Carefully put the wires back into the outlet box.

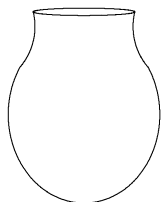
6. Attach the back plate to the cross bar by inserting the headless screws, and then secure it with two bolt nuts.

CAUTION: With silicone caulking compound, caulk completely around where the back plate meets with the wall surface to prevent water from seeping into the outlet box.

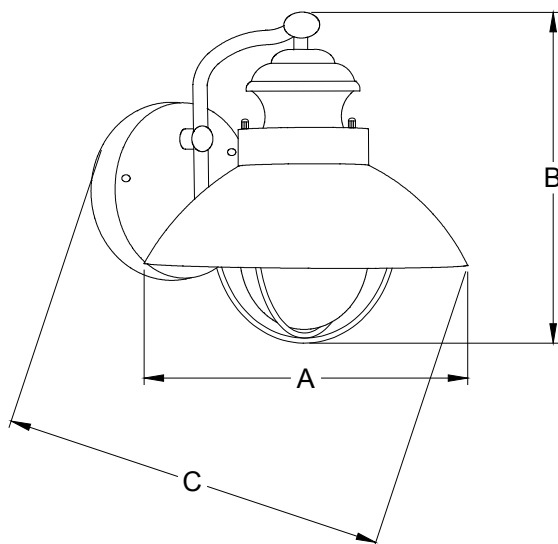
Turn on the power at fuse or circuit box

The following parts are available for re-order if damaged or missing.

Spare Parts List:



Glass Shade
62480S



A: 8"

B: 8"

C: 9"